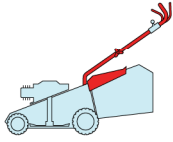
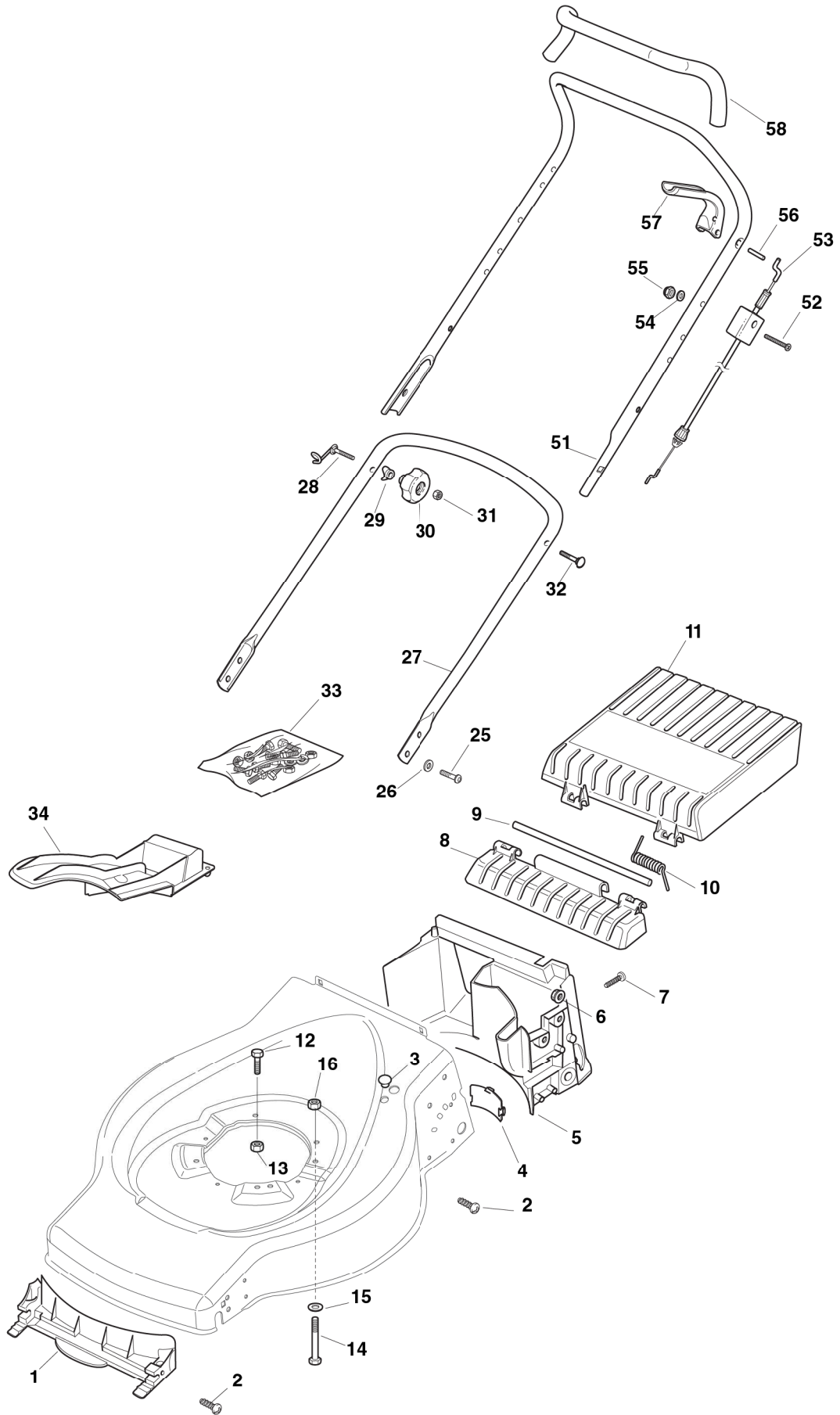


|            |            |            |  |
|------------|------------|------------|--|
| <b>ES</b>  |            | <b>ESL</b> |  |
| <b>414</b> | <b>464</b> | <b>534</b> |  |



|              |
|--------------|
| 2008         |
| <b>711.0</b> |
| 1 / 3        |



| POS. | CODE        | Q.Q.TY | DESCRIZIONE            | DESCRIPTION                | DESCRIPTION            | BESCHREIBUNG          | REMARKS                           |
|------|-------------|--------|------------------------|----------------------------|------------------------|-----------------------|-----------------------------------|
| 1    | 22108273/0  | 1      | CONVOGL. ANTERIORE     | FRONT CONVEYOR ASSY        | ENS. CONVOYEUR AVANT   | HINTERLEITBLECHVORDER | 414                               |
| -    | 22108271/0  | 1      | CONVOGL. ANTERIORE     | FRONT CONVEYOR ASSY        | ENS. CONVOYEUR AVANT   | HINTERLEITBLECHVORDER | 464 - 534                         |
| 2    | 12728686/0  | 6      | VITE                   | SCREW                      | VIS                    | SCHRAUBE              |                                   |
| 3    | 322820077/0 | 1      | TAPPO                  | CAP                        | BOUCHON                | GUMMISTOPFEN          | 464 - 534                         |
| -    | 322820076/0 | 1      | TAPPO                  | CAP                        | BOUCHON                | GUMMISTOPFEN          | 534                               |
| 4    | 22109532/0  | 1      | COPERCHIO TRASMISSIONE | COVER                      | COUVERCLE              | DECKEL                | 464 - 534                         |
| 5    | 22108274/2  | 1      | CONVOGL. POSTERIORE    | REAR CONVEYOR ASSY         | ENS. CONVOYEUR POST.   | HINTERLEITBLECHSATZ   | 414                               |
| -    | 22108272/2  | 1      | CONVOGL. POSTERIORE    | REAR CONVEYOR ASSY         | ENS. CONVOYEUR POST.   | HINTERLEITBLECHSATZ   | 464 - 534                         |
| 6    | 22131750/0  | 4      | DADO                   | NUT                        | ECROU                  | MUTTER                |                                   |
| 7    | 12728686/0  | 2      | VITE                   | SCREW                      | VIS                    | SCHRAUBE              |                                   |
| 8    | 22785136/1  | 1      | SUPPORTO               | SUPPORT                    | SUPPORT                | HALTER                |                                   |
| 9    | 22517858/0  | 1      | PERNO                  | PIN                        | PIVOT                  | BOLZEN                |                                   |
| 10   | 22450431/0  | 1      | MOLLA                  | SPRING                     | RESSORT                | FEDER                 |                                   |
| 11   | 22600099/0  | 1      | PARASASSI              | STONE-GUARD                | PARE-PIERRES           | PRALLBLECH            |                                   |
| 12   | 12793701/0  | 3/2    | VITE                   | SCREW                      | VIS                    | SCHRAUBE              |                                   |
| 13   | 12293201/0  | 3/2    | DADO                   | NUT                        | ECROU                  | MUTTER                |                                   |
| 14   | 12691800/0  | 0/1    | VITE                   | SCREW                      | VIS                    | SCHRAUBE              |                                   |
| 15   | 12521350/0  | 0/1    | ROSETTA                | WASHER                     | RONDELLE               | SCHEIBE               |                                   |
| 16   | 12155000/0  | 0/1    | DADO                   | NUT                        | ECROU                  | MUTTER                |                                   |
| 25   | 12760605/0  | 4      | VITE                   | SCREW                      | VIS                    | SCHRAUBE              |                                   |
| 26   | 12521350/0  | 4      | ROSETTA                | WASHER                     | RONDELLE               | SCHEIBE               |                                   |
| 27   | 81006568/0  | 1      | MANICO, PARTE INF      | HANDLE, LOWER PART         | MANCHERON, PARTIE INF. | HOLM, UNTERTEIL       | 414                               |
| -    | 81006570/0  | 1      | MANICO, PARTE INF      | HANDLE, LOWER PART         | MANCHERON, PARTIE INF. | HOLM, UNTERTEIL       | 464                               |
| -    | 381006686/0 | 1      | MANICO, PARTE INF      | HANDLE, LOWER PART         | MANCHERON, PARTIE INF. | HOLM, UNTERTEIL       | 534                               |
| 28   | 81003801/1  | 1      | MOLLA GUIDA            | GUIDE SPRING               | RESSORT DE GUIDE       | FEDER FÜHRER          |                                   |
| 29   | 22680006/1  | 2      | ROSETTA                | WASHER                     | RONDELLE               | SCHEIBE               |                                   |
| 30   | 322399804/1 | 2      | MANOPOLINA             | KNOB                       | POIGNÉE                | GRIFF                 |                                   |
| 31   | 12293200/0  | 2      | DADO                   | NUT                        | ECROU                  | MUTTER                |                                   |
| 32   | 12819201/0  | 1      | VITE                   | SCREW                      | VIS                    | SCHRAUBE              |                                   |
| 33   | 81008648/1  | 1      | DOTAZIONE VITERIA      | OUTFIT, SCREWS             | DOTATION VISSERIE      | SATZ, SCHRAUBEN       |                                   |
| 34   | 22140226/0  | 1      | DEFLETTORE             | DEFLECTOR                  | DEFLECTEUR             | DEFLEKTOR             | 464                               |
| 34   | 322140233/0 | 1      | DEFLETTORE             | DEFLECTOR                  | DEFLECTEUR             | DEFLEKTOR             | 534                               |
| 51   | 81006578/1  | 1      | MANICO, PARTE SUP      | HANDLE, UPPER PART         | MANCHERON, PARTIE SUP. | HOLM, OBERTEIL        |                                   |
| 52   | 12674700/0  | 1      | VITE                   | SCREW                      | VIS                    | SCHRAUBE              |                                   |
| 53   | 181000617/0 | 1      | CAVO FRENO MOTORE      | CABLE, THREAD ENGINE BRAKE | CABLE FREIN MOTEUR     | KABEL, MOTORBREMSE    | 464 (B&S 675 series)              |
| -    | 81000681/0  | 1      | CAVO FRENO MOTORE      | CABLE, THREAD ENGINE BRAKE | CABLE FREIN MOTEUR     | KABEL, MOTORBREMSE    | 414 - 464 (B&S 450-500 series)    |
| -    | 81000681/0  | 1      | CAVO FRENO MOTORE      | CABLE, THREAD ENGINE BRAKE | CABLE FREIN MOTEUR     | KABEL, MOTORBREMSE    | 414 - 464 (HONDA GCV 135/160/190) |
| -    | 81000758/0  | 1      | CAVO FRENO MOTORE      | CABLE, THREAD ENGINE BRAKE | CABLE FREIN MOTEUR     | KABEL, MOTORBREMSE    | 414 - 464 (GGP 150cc)             |
| -    | 181030003/0 | 1      | CAVO FRENO MOTORE      | CABLE, THREAD ENGINE BRAKE | CABLE FREIN MOTEUR     | KABEL, MOTORBREMSE    | 534 (B&S 450-500-675 series)      |
| -    | 181030003/0 | 1      | CAVO FRENO MOTORE      | CABLE, THREAD ENGINE BRAKE | CABLE FREIN MOTEUR     | KABEL, MOTORBREMSE    | 534 (HONDA GCV 135/160/190)       |
| -    | 181030004/0 | 1      | CAVO FRENO MOTORE      | CABLE, THREAD ENGINE BRAKE | CABLE FREIN MOTEUR     | KABEL, MOTORBREMSE    | 534 (B&S 675 series)              |
| -    | 181030004/0 | 1      | CAVO FRENO MOTORE      | CABLE, THREAD ENGINE BRAKE | CABLE FREIN MOTEUR     | KABEL, MOTORBREMSE    | 534 (GGP 160cc)                   |
| -    | 181030005/0 | 1      | CAVO FRENO MOTORE      | CABLE, THREAD ENGINE BRAKE | CABLE FREIN MOTEUR     | KABEL, MOTORBREMSE    | 534 (GGP 150cc)                   |

**TABLES**

2008

**711.0**

3 / 3

| POS. | CODE        | Q.TY | DESCRIZIONE        | DESCRIPTION         | DESCRIPTION         | BESCHREIBUNG       | REMARKS |
|------|-------------|------|--------------------|---------------------|---------------------|--------------------|---------|
| 54   | 12521330/0  | 1    | ROSETTA            | WASHER              | RONDELLE            | SCHEIBE            |         |
| 55   | 12292100/0  | 1    | DADO               | NUT                 | ECROU               | MUTTER             |         |
| 56   | 12645710/0  | 1    | SPINA              | PIN                 | GOUPILLE            | STIFT              |         |
| 57   | 322321700/1 | 1    | LEVA FRENO MOTORE  | LEVER, ENGINE BRAKE | LEVIER FREIN MOTEUR | HEBEL, MOTORBREMSE |         |
| 58   | 122291057/1 | 1    | IMPUGNATURA MANICO | HANDGRIP            | POIGNÉE             | HANDGRIFF          |         |

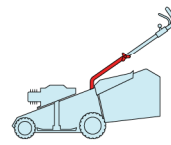
**ES**

**ESL**

**414**

**464**

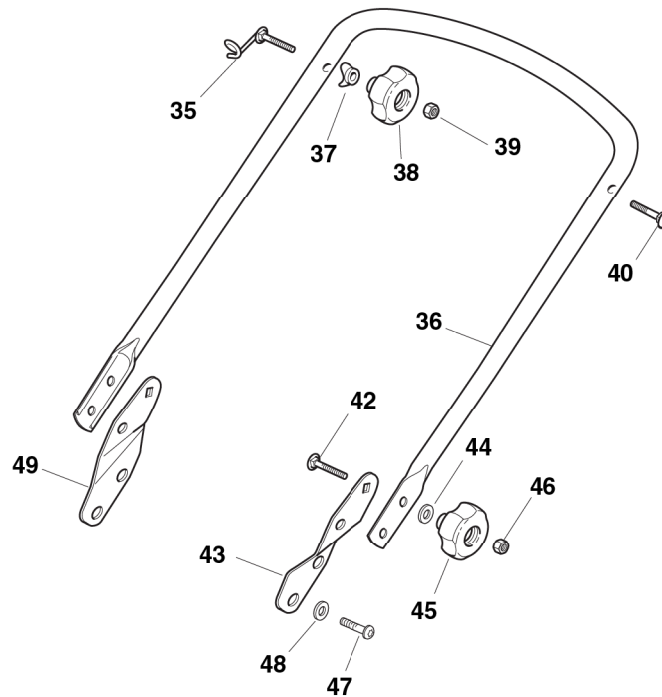
**534**



2008

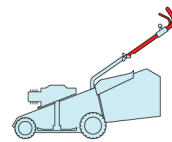
**711a.0**

1 / 1

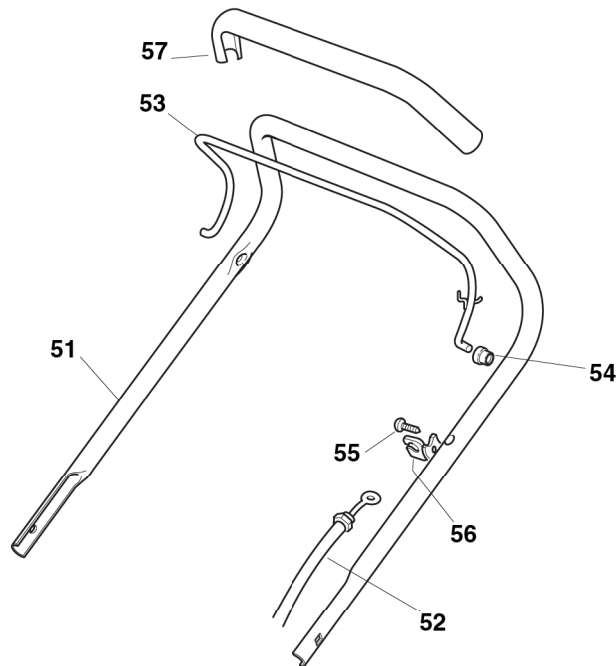


| POS. | CODE        | Q.TY | DESCRIZIONE       | DESCRIPTION        | DESCRIPTION            | BESCHREIBUNG    | REMARKS   |
|------|-------------|------|-------------------|--------------------|------------------------|-----------------|-----------|
| 35   | 81003801/1  | 1    | MOLLA GUIDA       | GUIDE SPRING       | RESSORT DE GUIDE       | FEDER FÜHRER    | 464 - 534 |
| 36   | 81006576/0  | 1    | MANICO, PARTE INF | HANDLE, LOWER PART | MANCHERON, PARTIE INF. | HOLM, UNTERTEIL | 464       |
| -    | 381006687/0 | 1    | MANICO, PARTE INF | HANDLE, LOWER PART | MANCHERON, PARTIE INF. | HOLM, UNTERTEIL | 534       |
| 37   | 22680006/1  | 2    | ROSETTA           | WASHER             | RONDELLE               | SCHEIBE         | 464 - 534 |
| 38   | 322399804/1 | 2    | MANOPOLINA        | KNOB               | POIGNÉE                | GRIFF           | 464 - 534 |
| 39   | 12293200/0  | 2    | DADO              | NUT                | ECROU                  | MUTTER          | 464 - 534 |
| 40   | 12819201/0  | 1    | VITE              | SCREW              | VIS                    | SCHRAUBE        | 464 - 534 |
| 42   | 12818900/0  | 2    | VITE              | SCREW              | VIS                    | SCHRAUBE        | 464 - 534 |
| 43   | 22778425/0  | 1    | STAFFA SX         | BRACKET, L         | BRIDE G                | PRATZE, LINKE   | 464 - 534 |
| 44   | 22671653/0  | 2    | ROSETTA           | WASHER             | RONDELLE               | SCHEIBE         | 464 - 534 |
| 45   | 322399804/1 | 2    | MANOPOLINA        | KNOB               | POIGNÉE                | GRIFF           | 464 - 534 |
| 46   | 12293200/0  | 2    | DADO              | NUT                | ECROU                  | MUTTER          | 464 - 534 |
| 47   | 12760605/0  | 4    | VITE              | SCREW              | VIS                    | SCHRAUBE        | 464 - 534 |
| 48   | 12521350/0  | 4    | ROSETTA           | WASHER             | RONDELLE               | SCHEIBE         | 464 - 534 |
| 49   | 22778423/0  | 1    | STAFFA DX         | BRACKET, R         | BRIDE D                | PRATZE, RECHTE  | 464 - 534 |

|            |            |            |  |
|------------|------------|------------|--|
| <b>ES</b>  |            | <b>ESL</b> |  |
| <b>414</b> | <b>464</b> | <b>534</b> |  |



|               |
|---------------|
| 2008          |
| <b>711b.0</b> |
| 1 / 1         |



| POS. | CODE        | Q.TY | DESCRIZIONE             | DESCRIPTION                | DESCRIPTION                  | BESCHREIBUNG       | REMARKS                     |
|------|-------------|------|-------------------------|----------------------------|------------------------------|--------------------|-----------------------------|
| 51   | 81007018/1  | 1    | MANICO, PARTE SUP       | HANDLE, UPPER PART         | MANCHERON, PARTIE SUPERIEURE | HOLM, OBERTEIL     |                             |
| 52   | 81000611/0  | 1    | CAVO FRENO MOTORE       | CABLE, THREAD ENGINE BRAKE | CABLE FREIN MOTEUR           | KABEL, MOTORBREMSE | 414 (GGP 150cc)             |
| -    | 81000616/1  | 1    | CAVO FRENO MOTORE       | CABLE, THREAD ENGINE BRAKE | CABLE FREIN MOTEUR           | KABEL, MOTORBREMSE | 414 (GGP 160cc)             |
| -    | 81000757/0  | 1    | CAVO FRENO MOTORE       | CABLE, THREAD ENGINE BRAKE | CABLE FREIN MOTEUR           | KABEL, MOTORBREMSE | 414 (B&S 450-500 series)    |
| -    | 81000757/0  | 1    | CAVO FRENO MOTORE       | CABLE, THREAD ENGINE BRAKE | CABLE FREIN MOTEUR           | KABEL, MOTORBREMSE | 414 (HONDA GCV 135/160/190) |
| -    | 81000616/1  | 1    | CAVO FRENO MOTORE       | CABLE, THREAD ENGINE BRAKE | CABLE FREIN MOTEUR           | KABEL, MOTORBREMSE | 464 (B&S 450-500 series)    |
| -    | 81000616/1  | 1    | CAVO FRENO MOTORE       | CABLE, THREAD ENGINE BRAKE | CABLE FREIN MOTEUR           | KABEL, MOTORBREMSE | 464 (B&S 675 series)        |
| -    | 81000616/1  | 1    | CAVO FRENO MOTORE       | CABLE, THREAD ENGINE BRAKE | CABLE FREIN MOTEUR           | KABEL, MOTORBREMSE | 464 (GGP 160cc)             |
| -    | 81000616/1  | 1    | CAVO FRENO MOTORE       | CABLE, THREAD ENGINE BRAKE | CABLE FREIN MOTEUR           | KABEL, MOTORBREMSE | 464 (HONDA GCV 135/160/190) |
| -    | 81000622/2  | 1    | CAVO FRENO MOTORE       | CABLE, THREAD ENGINE BRAKE | CABLE FREIN MOTEUR           | KABEL, MOTORBREMSE | 464 (GGP 150cc)             |
| -    | 81000622/2  | 1    | CAVO FRENO MOTORE       | CABLE, THREAD ENGINE BRAKE | CABLE FREIN MOTEUR           | KABEL, MOTORBREMSE | 534 (GGP 150cc)             |
| -    | 81000760/0  | 1    | CAVO FRENO MOTORE       | CABLE, THREAD ENGINE BRAKE | CABLE FREIN MOTEUR           | KABEL, MOTORBREMSE | 534 (B&S 675 series)        |
| -    | 81000760/0  | 1    | CAVO FRENO MOTORE       | CABLE, THREAD ENGINE BRAKE | CABLE FREIN MOTEUR           | KABEL, MOTORBREMSE | 534 (GGP 160cc)             |
| -    | 181000761/0 | 1    | CAVO FRENO MOTORE       | CABLE, THREAD ENGINE BRAKE | CABLE FREIN MOTEUR           | KABEL, MOTORBREMSE | 534 (B&S 450-500 series)    |
| -    | 181000761/0 | 1    | CAVO FRENO MOTORE       | CABLE, THREAD ENGINE BRAKE | CABLE FREIN MOTEUR           | KABEL, MOTORBREMSE | 534 (GGP 200cc)             |
| -    | 181000761/0 | 1    | CAVO FRENO MOTORE       | CABLE, THREAD ENGINE BRAKE | CABLE FREIN MOTEUR           | KABEL, MOTORBREMSE | 534 (HONDA GCV 135/160/190) |
| 53   | 81003291/3  | 1    | LEVA FRENO MOTORE       | LEVER, ENGINE BRAKE        | LEVIER FREIN MOTEUR          | HEBEL, MOTORBREMSE |                             |
| 54   | 22041966/0  | 2    | BUSSOLA                 | BUSH                       | DOUILLE                      | BUCHSE             |                             |
| 55   | 12728518/0  | 1    | VITE                    | SCREW                      | VIS                          | SCHRAUBE           |                             |
| 56   | 22806612/0  | 1    | SUPPORTO                | SUPPORT                    | SUPPORT                      | HALTER             |                             |
| 57   | 22291050/0  | 1    | IMPUGNATURA MANICO NERA | HANDGRIP BLACK             | POIGNÉE NOIRE                | HANDGRIFF SCHWARZ  |                             |

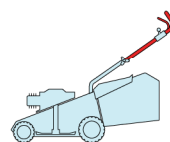
**ES**

**ESL**

**414**

**464**

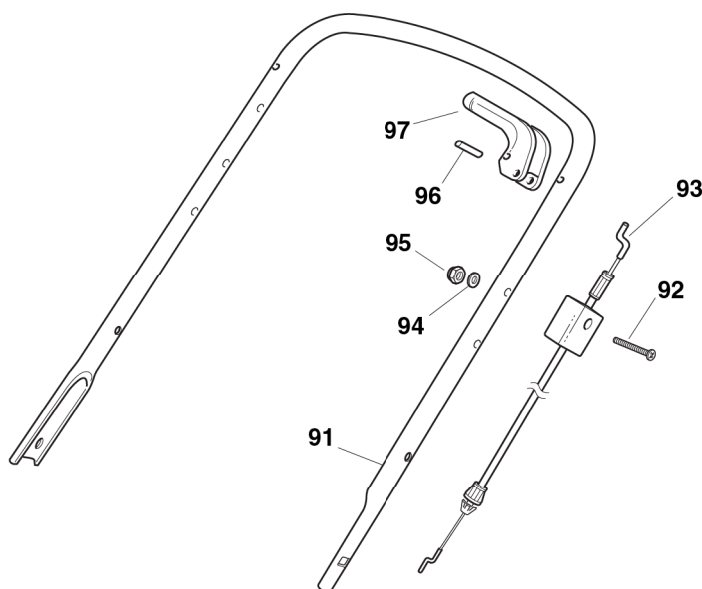
**534**



2008

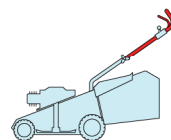
**711c.0**

1 / 1

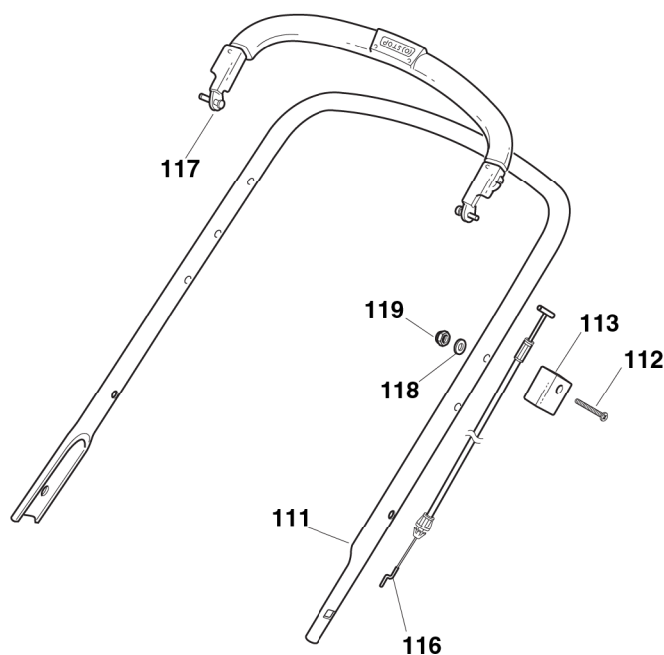


| POS. | CODE        | Q.TY | DESCRIZIONE       | DESCRIPTION               | DESCRIPTION            | BESCHREIBUNG       | REMARKS                     |
|------|-------------|------|-------------------|---------------------------|------------------------|--------------------|-----------------------------|
| 91   | 81006577/0  | 1    | MANICO, PARTE SUP | HANDLE, UPPER PART        | MANCHERON, PARTIE SUP. | HOLM, OBERTEIL     |                             |
| 92   | 12674700/0  | 1    | VITE              | SCREW                     | VIS                    | SCHRAUBE           |                             |
| 93   | 81000612/0  | 1    | CAVO FRENO MOTORE | CABLE, THREAD ENG. BRAKE  | CABLE FREIN MOTEUR     | KABEL, MOTORBREMSE | 414 (GGP 150cc)             |
| -    | 81000612/0  | 1    | CAVO FRENO MOTORE | CABLE, THREAD ENG. BRAKE  | CABLE FREIN MOTEUR     | KABEL, MOTORBREMSE | 464 (GGP 150cc)             |
| -    | 181000617/0 | 1    | CAVO FRENO MOTORE | CABLE, THREAD ENG. BRAKE  | CABLE FREIN MOTEUR     | KABEL, MOTORBREMSE | 464 (B&S 675 series)        |
| -    | 81000655/0  | 1    | CAVO FRENO MOTORE | CABLE, THREAD ENG. BRAKE  | CABLE FREIN MOTEUR     | KABEL, MOTORBREMSE | 414 (B&S 450-500 series)    |
| -    | 81000655/0  | 1    | CAVO FRENO MOTORE | CABLE, THREAD ENG. BRAKE  | CABLE FREIN MOTEUR     | KABEL, MOTORBREMSE | 464 (B&S 450-500 series)    |
| -    | 81000655/0  | 1    | CAVO FRENO MOTORE | CABLE, THREAD ENG. BRAKE  | CABLE FREIN MOTEUR     | KABEL, MOTORBREMSE | 464 (HONDA GCV 135/160/190) |
| -    | 81000681/0  | 1    | CAVO FRENO MOTORE | CABLE, THREAD ENG. BRAKE  | CABLE FREIN MOTEUR     | KABEL, MOTORBREMSE | 414 (HONDA GCV 135/160/190) |
| -    | 181030003/0 | 1    | CAVO FRENO MOTORE | CABLE, THREAD ENG. BRAKE  | CABLE FREIN MOTEUR     | KABEL, MOTORBREMSE | 534 (B&S 450-500 series)    |
| -    | 181030003/0 | 1    | CAVO FRENO MOTORE | CABLE, THREAD ENG. BRAKE  | CABLE FREIN MOTEUR     | KABEL, MOTORBREMSE | 534 (GGP 200cc)             |
| -    | 181030004/0 | 1    | CAVO FRENO MOTORE | CABLE, THREAD ENG. BRAKE  | CABLE FREIN MOTEUR     | KABEL, MOTORBREMSE | 534 (B&S 675 series)        |
| -    | 181030004/0 | 1    | CAVO FRENO MOTORE | CABLE, THREAD ENG. BRAKE  | CABLE FREIN MOTEUR     | KABEL, MOTORBREMSE | 534 (GGP 160cc)             |
| -    | 181030004/0 | 1    | CAVO FRENO MOTORE | CABLE, THREARD ENG. BRAKE | CABLE FREIN MOTEUR     | KABEL, MOTORBREMSE | 534 (HONDA GCV 135/160/190) |
| -    | 181030005/0 | 1    | CAVO FRENO MOTORE | CABLE, THREAD ENG. BRAKE  | CABLE FREIN MOTEUR     | KABEL, MOTORBREMSE | 534 (GGP 150cc)             |
| -    | 81000681/0  | 1    | CAVO FRENO MOTORE | CABLE, THREAD ENG. BRAKE  | CABLE FREIN MOTEUR     | KABEL, MOTORBREMSE | 414 (HONDA)                 |
| -    | 81000655/0  | 1    | CAVO FRENO MOTORE | CABLE, THREAD ENG. BRAKE  | CABLE FREIN MOTEUR     | KABEL, MOTORBREMSE | (B&S)                       |
| -    | 81000655/0  | 1    | CAVO FRENO MOTORE | CABLE, THREAD ENG. BRAKE  | CABLE FREIN MOTEUR     | KABEL, MOTORBREMSE | 464 (HONDA)                 |
| -    | 81000612/0  | 1    | CAVO FRENO MOTORE | CABLE, THREAD ENG. BRAKE  | CABLE FREIN MOTEUR     | KABEL, MOTORBREMSE | (GGP ENGINE)                |
| 94   | 12521330/0  | 1    | ROSETTA           | WASHER                    | RONDELLE               | SCHEIBE            |                             |
| 95   | 12292100/0  | 1    | DADO              | NUT                       | ECROU                  | MUTTER             |                             |
| 96   | 12645710/0  | 1    | SPINA             | PIN                       | GOUPILLE               | STIFT              |                             |
| 97   | 322321700/1 | 1    | LEVA FRENO MOTORE | LEVER, ENG. BRAKE         | LEVIER FREIN MOTEUR    | HEBEL, MOTORBREMSE |                             |

|            |            |            |  |
|------------|------------|------------|--|
| <b>ES</b>  |            | <b>ESL</b> |  |
| <b>414</b> | <b>464</b> | <b>534</b> |  |

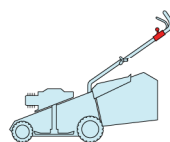


|               |
|---------------|
| 2008          |
| <b>711d.0</b> |
| 1 / 1         |

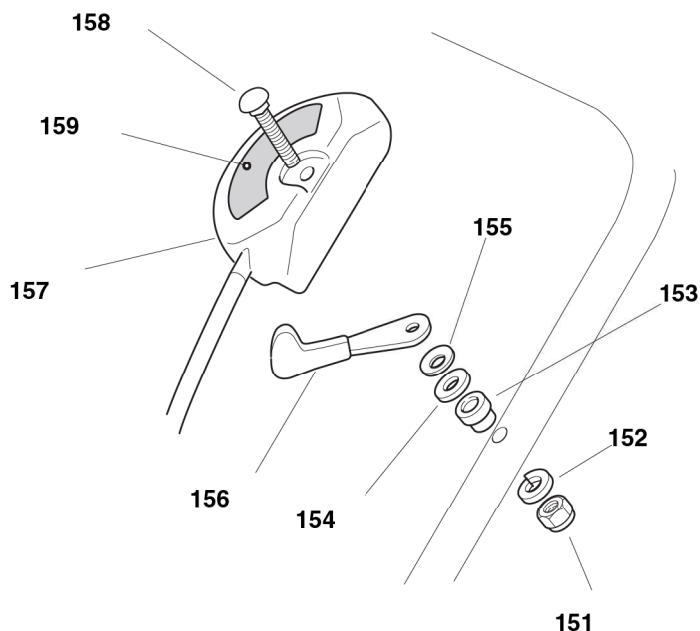


| POS. | CODE        | Q.TY | DESCRIZIONE       | DESCRIPTION              | DESCRIPTION            | BESCHREIBUNG       | REMARKS                     |
|------|-------------|------|-------------------|--------------------------|------------------------|--------------------|-----------------------------|
| 111  | 381006579/1 | 1    | MANICO, PARTE SUP | HANDLE, UPPER PART       | MANCHERON, PARTIE SUP. | HOLM, OBERTEIL     |                             |
| 112  | 12689500/0  | 1    | VITE              | SCREW                    | VIS                    | SCHRAUBE           |                             |
| 113  | 22551640/0  | 1    | PIASTRINA         | PLATE                    | PLAQUETTE              | PLÄTTCHEN          |                             |
| 116  | 81000657/0  | 1    | CAVO FRENO MOTORE | CABLE, THREAD ENG. BRAKE | CABLE FREIN MOTEUR     | KABEL, MOTORBREMSE | 414 (B&S 450-500 SERIES)    |
| -    | 81000657/0  | 1    | CAVO FRENO MOTORE | CABLE, THREAD ENG. BRAKE | CABLE FREIN MOTEUR     | KABEL, MOTORBREMSE | 464 (B&S 450-500 SERIES)    |
| -    | 81000720/1  | 1    | CAVO FRENO MOTORE | CABLE, THREAD ENG. BRAKE | CABLE FREIN MOTEUR     | KABEL, MOTORBREMSE | 464 (B&S 675 SERIES)        |
| -    | 181030000/0 | 1    | CAVO FRENO MOTORE | CABLE, THREAD ENG. BRAKE | CABLE FREIN MOTEUR     | KABEL, MOTORBREMSE | 534 (GGP 150CC)             |
| -    | 181030001/0 | 1    | CAVO FRENO MOTORE | CABLE, THREAD ENG. BRAKE | CABLE FREIN MOTEUR     | KABEL, MOTORBREMSE | 534 (B&S 450-500 SERIES)    |
| -    | 181030001/0 | 1    | CAVO FRENO MOTORE | CABLE, THREAD ENG. BRAKE | CABLE FREIN MOTEUR     | KABEL, MOTORBREMSE | 534 (B&S 675 SERIES)        |
| -    | 181030001/0 | 1    | CAVO FRENO MOTORE | CABLE, THREAD ENG. BRAKE | CABLE FREIN MOTEUR     | KABEL, MOTORBREMSE | 534 (GGP 160CC)             |
| -    | 181030001/0 | 1    | CAVO FRENO MOTORE | CABLE, THREAD ENG. BRAKE | CABLE FREIN MOTEUR     | KABEL, MOTORBREMSE | 534 (GGP 200CC)             |
| -    | 181030001/0 | 1    | CAVO FRENO MOTORE | CABLE, THREAD ENG. BRAKE | CABLE FREIN MOTEUR     | KABEL, MOTORBREMSE | 534 (HONDA GCV 135/160/190) |
| -    | 81000743/0  | 1    | CAVO FRENO MOTORE | CABLE, THREAD ENG. BRAKE | CABLE FREIN MOTEUR     | KABEL, MOTORBREMSE | 464 (GGP 150CC)             |
| -    | 181030002/0 | 1    | CAVO FRENO MOTORE | CABLE, THREAD ENG. BRAKE | CABLE FREIN MOTEUR     | KABEL, MOTORBREMSE | 464 (GGP 160CC)             |
| 117  | 81003298/1  | 1    | LEVA FRENO MOTORE | LEVER, RNG. BRAKE        | LEVIER FREIN MOTEUR    | HEBEL, MOTORBREMSE |                             |
| 118  | 12521330/0  | 1    | ROSETTA           | WASHER                   | RONDELLE               | SCHEIBE            |                             |
| 119  | 12292100/0  | 1    | DADO              | NUT                      | ECROU                  | MUTTER             |                             |

|            |            |            |  |
|------------|------------|------------|--|
| <b>ES</b>  |            | <b>ESL</b> |  |
| <b>414</b> | <b>464</b> | <b>534</b> |  |



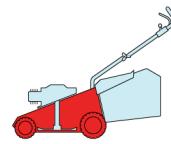
|              |
|--------------|
| 2008         |
| <b>712.0</b> |
| 1 / 1        |



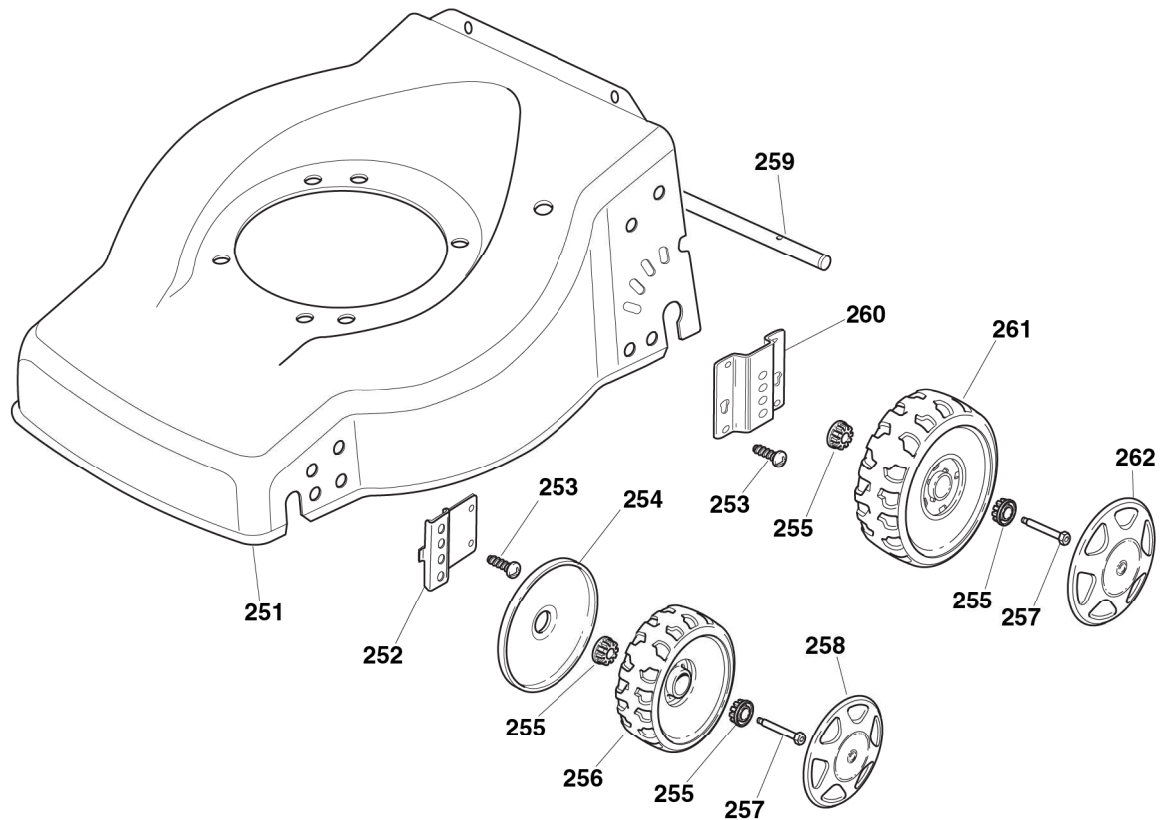
| POS. | CODE       | Q.TY | DESCRIZIONE        | DESCRIPTION     | DESCRIPTION          | BESCHREIBUNG        | REMARKS   |
|------|------------|------|--------------------|-----------------|----------------------|---------------------|---|
| 151  | 12291000/0 | 1    | DADO               | NUT             | ECROU                | MUTTER              | .   |
| 152  | 12581500/0 | 1    | GROWER             | GROWER          | GROWER               | FEDERRING           | .   |
| 153  | 22171005/0 | 1    | DISTANZIALE        | SPACER          | ENTRETOISE           | DISTANZRING         | .   |
| 154  | 12521360/0 | 1    | ROSETTA            | WASHER          | RONDELLE             | SCHEIBE             | .   |
| 155  | 12508100/0 | 1    | ROSETTA ELASTICA   | SPRING WASHER   | RONDELLE ELASTIQUE   | ELASTISCHE SCHEIBE  | .   |
| 156  | 81007279/1 | 1    | LEVA, ACCELERATORE | LEVER, THROTTLE | LEVIER, ACCELERATEUR | HEBEL, BESHLEUNIGER | (B&S 625/650/675 series - HONDA - GGP 160/200 cc) |
| -    | 81007220/0 | 1    | LEVA, ACCELERATORE | LEVER, THROTTLE | LEVIER, ACCELERATEUR | HEBEL, BESHLEUNIGER | (B&S 450/500 series - GGP 150 cc)                 |
| 157  | 81007080/0 | 1    | CAVO ACCELERATORE  | THROTTLE CABLE  | CABLE, ACCELERATEUR  | GASHEBEL KABEL      | .   |
| 158  | 12815000/0 | 1    | VITE               | SCREW           | VIS                  | SCHRAUBE            | .   |
| 159  | 14356703/0 | 1    | ETICHETTA          | LABEL           | ETIQUETTE            | ETIKETTE            | (B&S)   |
| -    | 14356702/0 | 1    | ETICHETTA          | LABEL           | ETIQUETTE            | ETIKETTE            | (GGP ENGINE - HONDA)                              |



|            |            |            |  |
|------------|------------|------------|--|
| <b>ES</b>  |            | <b>ESL</b> |  |
| <b>414</b> | <b>464</b> | <b>534</b> |  |



|              |
|--------------|
| 2008         |
| <b>713.0</b> |
| 1 / 1        |



| POS. | CODE        | Q.TY | DESCRIZIONE           | DESCRIPTION        | DESCRIPTION        | BESCHREIBUNG     | REMARKS           |
|------|-------------|------|-----------------------|--------------------|--------------------|------------------|-------------------|
| 251  | 81002994/0  | 1    | CHASSIS ROSSO         | CHASSIS ROSSO      | CHÂSSIS ROUGE      | GEHÄUSE ROT      | 414               |
| -    | 381003655/0 | 1    | CHASSIS ROSSO         | CHASSIS ROSSO      | CHÂSSIS ROUGE      | GEHÄUSE ROT      | 414               |
| -    | 81002652/0  | 1    | CHASSIS ROSSO         | CHASSIS ROSSO      | CHÂSSIS ROUGE      | GEHÄUSE ROT      | 464               |
| -    | 381003703/0 | 1    | CHASSIS ROSSO         | CHASSIS ROSSO      | CHÂSSIS ROUGE      | GEHÄUSE ROT      | 534               |
| 252  | 22551523/0  | 2    | PIASTRA ANTERIORE     | PIASTRA ANTERIORE  | PLAQUE ANTÉRIEURE  | PLATTE, VORDER   |                   |
| 253  | 12728686/0  | 4    | VITE                  | VITE               | VIS                | SCHRAUBE         |                   |
| 254  | 22600095/0  | 2    | PROTEZIONE            | PROTEZIONE         | PROTECTION         | SCHUTZ           |                   |
| 255  | 22034515/1  | 8    | BUSSOLA               | BUSSOLA            | DOUILLE            | BUCHSE           |                   |
| 256  | 22686091/1  | 2    | RUOTA Ø 165           | RUOTA Ø 165        | ROUE Ø 165         | RAD Ø 165        |                   |
| 257  | 22524340/0  | 4    | PERNO                 | PERNO              | PIVOT              | BOLZEN           |                   |
| 258  | -           | 2    | COPRIMOZZO            | HUB CAP            | COUVRE-MOYEU       | RADKAPPE         | (SEE ENCLOSURE 1) |
| -    | 322110514/0 | 2    | COPRIMOZZO            | HUB CAP            | COUVRE-MOYEU       | RADKAPPE         |                   |
| 259  | 22033374/0  | 1    | ASSE RUOTE POSTERIORI | AXLE, REAR WHEELS  | AXE ROUES ARRIERE  | ACHSE, HINTERRAD | 414               |
| -    | 22033366/0  | 1    | ASSE RUOTE POSTERIORI | AXLE, REAR WHEELS  | AXE ROUES ARRIERE  | ACHSE, HINTERRAD | 464 - 534         |
| 260  | 22551525/0  | 2    | PIASTRA POSTERIORE    | PIASTRA POSTERIORE | PLAQUE POSTÉRIEURE | PLATTE, HINTER   |                   |
| 261  | 22686092/0  | 2    | RUOTA Ø 190           | RUOTA Ø 190        | ROUE Ø190          | RAD Ø 190        |                   |
| 262  | -           | 2    | COPRIMOZZO            | HUB CAP            | COUVRE-MOYEU       | RADKAPPE         | (SEE ENCLOSURE 2) |

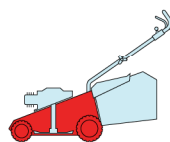
ES

ESL

414

464

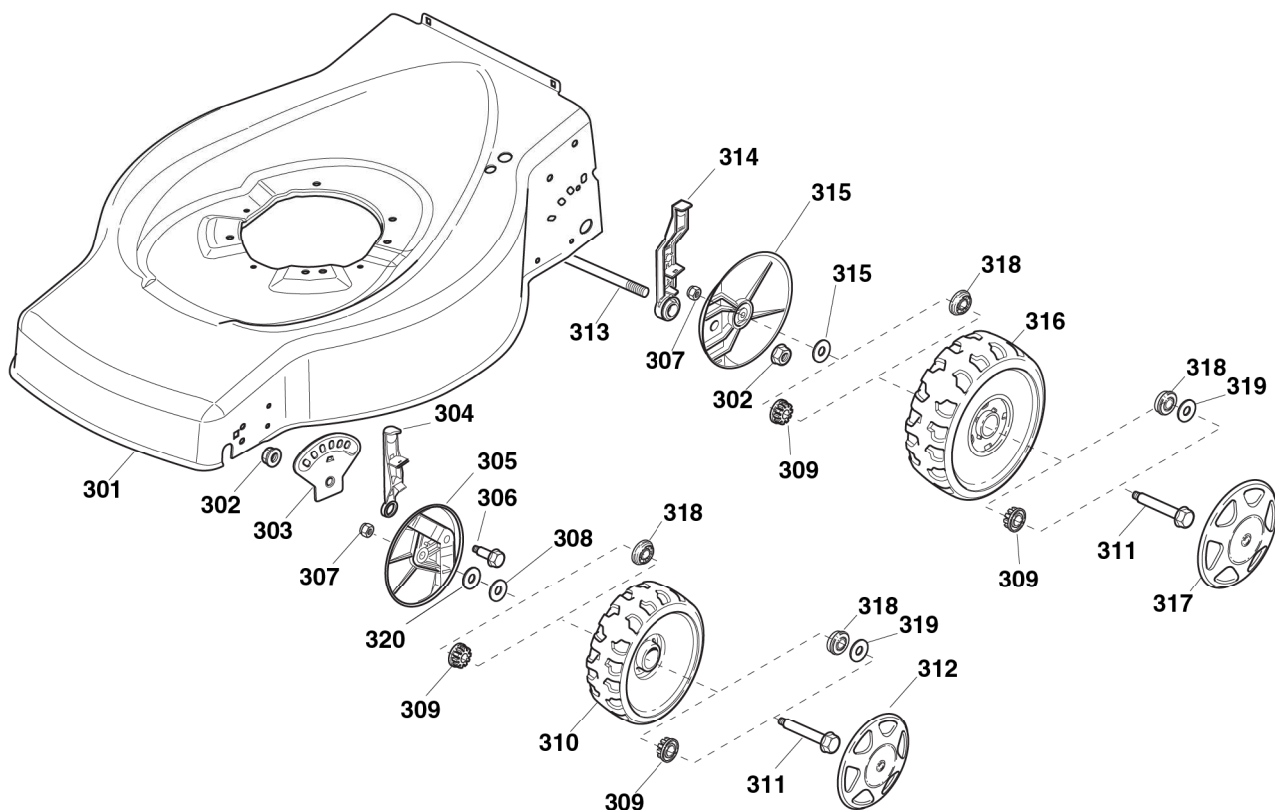
534



2008

713a.0

1 / 2



| POS. | CODE        | Q.TY | DESCRIZIONE              | DESCRIPTION               | DESCRIPTION              | BESCHREIBUNG                | REMARKS           |
|------|-------------|------|--------------------------|---------------------------|--------------------------|-----------------------------|-------------------|
| 301  | 81002994/0  | 1    | CHASSIS ROSSO            | DECK RED                  | CHÂSSIS ROUGE            | GEHÄUSE ROT                 | 414               |
| -    | 81002538/0  | 1    | CHASSIS ROSSO            | DECK RED                  | CHÂSSIS ROUGE            | GEHÄUSE ROT                 | 464               |
| -    | 381003703/0 | 1    | CHASSIS ROSSO            | CHASSIS ROSSO             | CHÂSSIS ROUGE            | GEHÄUSE ROT                 | 534               |
| 302  | 22131750/0  | 4    | DADO                     | NUT                       | ECROU                    | MUTTER                      |                   |
| 303  | 22735559/0  | 1    | SETTORE REG. ALTEZZA, DX | SECTOR, HEIGHT ADJ., RIGH | SECTEUR REGL. HAUTEUR, D | SEKTOR, HÖHEVERSTELLUNG, R. | 414               |
| -    | 22735561/0  | 1    | SETTORE REG. ALTEZZA, SX | SECTOR, HEIGHT ADJ., LEFT | SECTEUR REGL. HAUTEUR, G | SEKTOR, HÖHEVERSTELLUNG, L. | 414               |
| -    | 22735557/0  | 2    | SETTORE DI REGOLAZIONE   | SECTOR, HEIGHT ADJUSTMENT | SECTEUR REGLAGE          | SEKTOR, HÖHEVERSTELLUNG     | 464               |
| 304  | 81003306/0  | 2    | LEVA REGOLAZIONE ALTEZZA | LEVER, HEIGHT ADJUSTMENT  | LEVIER REGLAGE HAUTEUR   | HEBEL, HÖNEVERSTELLUNG      |                   |
| 305  | 322600170/0 | 2    | PROT. RUOTE              | PROTECTION, WHEEL         | PROTECTION ROUE          | SCHÜTZ, RÄDER               |                   |
| 306  | 22524324/0  | 2    | PERNO                    | PIN                       | PIVOT                    | BOLZEN                      |                   |
| 307  | 12155000/0  | 4    | DADO                     | NUT                       | ECROU                    | MUTTER                      |                   |
| 308  | 25670011/0  | 4    | ROSETTA                  | WASHER                    | RONDELLE                 | SCHEIBE                     |                   |
| 309  | 22034508/0  | 8    | BUSSOLA                  | BUSH                      | DOUILLE                  | BUCHSE                      |                   |
| 310  | 22686091/1  | 2    | RUOTA Ø 165              | WHEEL Ø 165               | ROUE Ø 165               | RAD Ø 165                   |                   |
| 311  | 22524341/0  | 4    | PERNO                    | PIN                       | PIVOT                    | BOLZEN                      |                   |
| 312  | -           | 2    | COPRIMOZZO               | HUB CAP                   | COUVRE-MOYEU             | RADKAPPE                    | (SEE ENCLOSURE 1) |
| 313  | 22033367/0  | 1    | ASSE RUOTE POSTERIORI    | AXLE, REAR WHEELS         | AXE ROUES ARRIERE        | ACHSE, HINTERRAD            | 414               |
| -    | 22033364/0  | 1    | ASSE RUOTE POSTERIORI    | AXLE, REAR WHEELS         | AXE ROUES ARRIERE        | ACHSE, HINTERRAD            | 464 - 534         |
| 314  | 81003307/0  | 2    | LEVA REGOLAZIONE ALTEZZA | LEVER, HEIGHT ADJUSTMENT  | LEVIER REGLAGE HAUTEUR   | HEBEL, HÖNEVERSTELLUNG      |                   |
| 315  | 22600098/0  | 2    | PROTEZIONE               | PROTECTION                | PROTECTION               | SCHUTZ                      |                   |

| POS. | CODE       | Q.TY | DESCRIZIONE | DESCRIPTION | DESCRIPTION  | BESCHREIBUNG | REMARKS           |
|------|------------|------|-------------|-------------|--------------|--------------|-------------------|
| 316  | 22686092/0 | 2    | RUOTA Ø 190 | WHEEL Ø 190 | ROUE Ø190    | RAD Ø 190    |                   |
| 317  | -          | 2    | COPRIMOZZO  | HUB CAP     | COUVRE-MOYEU | RADKAPPE     | (SEE ENCLOSURE 2) |
| 318  | 22122200/0 | 8    | CUSCINETTO  | BEARING     | COUSSINET    | LAGER        |                   |
| 319  | 22675100/0 | 4    | ROSETTA     | WASHER      | RONDELLE     | SCHEIBE      |                   |
| 320  | 12530150/0 | 2    | ROSETTA     | WASHER      | RONDELLE     | SCHEIBE      |                   |

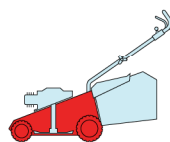
ES

ESL

414

464

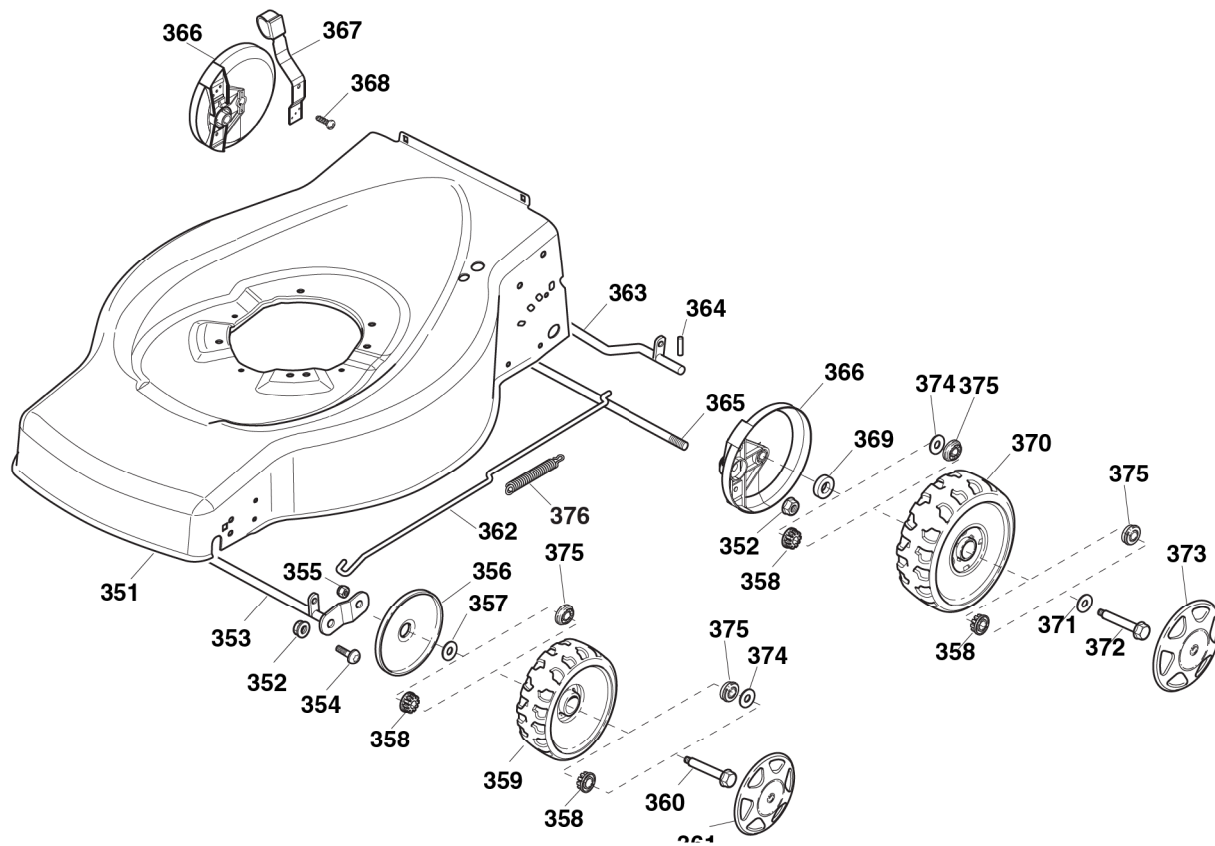
534



2008

713b.0

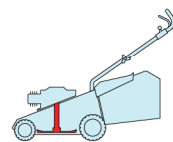
1 / 2



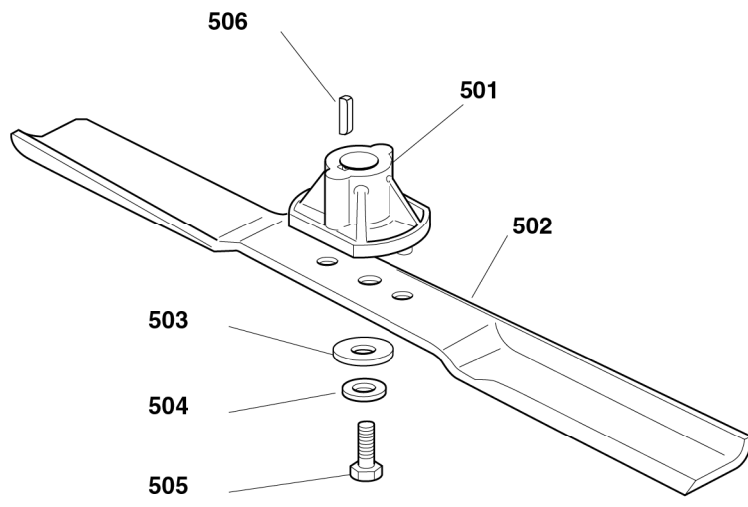
| POS. | CODE        | Q.TY | DESCRIZIONE              | DESCRIPTION              | DESCRIPTION            | BESCHREIBUNG           | REMARKS           |
|------|-------------|------|--------------------------|--------------------------|------------------------|------------------------|-------------------|
| 351  | 81002538/0  | 1    | CHASSIS ROSSO            | DECK RED                 | CHÂSSIS ROUGE          | GEHÄUSE ROT            | 464               |
| -    | 381003703/0 | 1    | CHASSIS ROSSO            | CHASSIS ROSSO            | CHÂSSIS ROUGE          | GEHÄUSE ROT            | 534               |
| 352  | 22131750/0  | 4    | DADO                     | NUT                      | ECROU                  | MUTTER                 |                   |
| 353  | 81000153/0  | 1    | ASSE RUOTE ANTERIORE     | AXLE, FRONT WHEELS       | AXE ROUES AVANT        | ACHSE, VORDERRAD       |                   |
| 354  | 12760600/0  | 2    | VITE                     | SCREW                    | VIS                    | SCHRAUBE               |                   |
| 355  | 12155000/0  | 2    | DADO                     | NUT                      | ECROU                  | MUTTER                 |                   |
| 356  | 22600095/0  | 2    | PROTEZIONE               | PROTECTION               | PROTECTION             | SCHUTZ                 |                   |
| 357  | 25670011/0  | 2    | ROSETTA                  | WASHER                   | RONDELLE               | SCHEIBE                |                   |
| 358  | 22034508/0  | 8    | BUSSOLA                  | BUSH                     | DOUILLE                | BUCHSE                 |                   |
| 359  | 22686091/1  | 2    | RUOTA Ø 165              | WHEEL Ø 165              | ROUE Ø 165             | RAD Ø 165              |                   |
| 360  | 22524341/0  | 2    | PERNO                    | PIN                      | PIVOT                  | BOLZEN                 |                   |
| 361  | -           | 2    | COPRIMOZZO               | HUB CAP                  | COUVRE-MOYEU           | RADKAPPE               | (SEE ENCLOSURE 1) |
| 362  | 22033317/0  | 1    | ASTA REGOLAZIONE         | ADJUSTMENT ROD           | TIGE REGLAGE           | VERSTELLUNGSTANGE      | 464               |
| -    | 122033319/0 | 1    | ASTA REGOLAZIONE         | ADJUSTMENT ROD           | TIGE REGLAGE           | VERSTELLUNGSTANGE      | 534               |
| 363  | 81000159/0  | 1    | ASSE RUOTE POSTERIORI    | AXLE, REAR WHEELS        | AXE ROUES ARRIERE      | ACHSE, HINTERRAD       |                   |
| 364  | 22753001/0  | 2    | SPINA                    | PIN                      | GOUPILLE               | STIFT                  |                   |
| 365  | 22033369/0  | 1    | ASSE RUOTE POSTERIORI    | AXLE, REAR WHEELS        | AXE ROUES ARRIERE      | ACHSE, HINTERRAD       |                   |
| 366  | 22600106/1  | 2    | PROT. RUOTE              | PROTECTION, WHEEL        | PROTECTION ROUE        | SCHÜTZ, RÄDER          |                   |
| 367  | 81003303/0  | 1    | LEVA REGOLAZIONE ALTEZZA | LEVER, HEIGHT ADJUSTMENT | LEVIER REGLAGE HAUTEUR | HEBEL, HÖNEVERSTELLUNG |                   |
| 368  | 12728689/0  | 2    | VITE                     | SCREW                    | VIS                    | SCHRAUBE               |                   |
| 369  | 22170622/0  | 2    | DISTANZIALE              | SPACER                   | ENTRETOISE             | DISTANZRING            |                   |

| POS. | CODE        | Q.TY | DESCRIZIONE | DESCRIPTION | DESCRIPTION  | BESCHREIBUNG | REMARKS           |
|------|-------------|------|-------------|-------------|--------------|--------------|-------------------|
| 370  | 22686092/0  | 2    | RUOTA Ø 190 | WHEEL Ø 190 | ROUE Ø190    | RAD Ø 190    |                   |
| 371  | 12523050/0  | 2    | ROSETTA     | WASHER      | RONDELLE     | SCHEIBE      |                   |
| 372  | 12735599/0  | 2    | VITE        | SCREW       | VIS          | SCHRAUBE     |                   |
| 373  | -           | 2    | COPRIMOZZO  | HUB CAP     | COUVRE-MOYEU | RADKAPPE     | (SEE ENCLOSURE 2) |
| 374  | 22675100/0  | 4    | ROSETTA     | WASHER      | RONDELLE     | SCHEIBE      |                   |
| 375  | 22122200/0  | 8    | CUSCINETTO  | BEARING     | COUSSINET    | LAGER        |                   |
| 376  | 122446186/0 | 1    | MOLLA       | SPRING      | RESSORT      | FEDER        | 534               |

|            |            |            |  |
|------------|------------|------------|--|
| <b>ES</b>  |            | <b>ESL</b> |  |
| <b>414</b> | <b>464</b> | <b>534</b> |  |

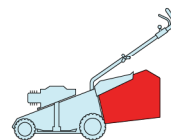


|              |
|--------------|
| 2008         |
| <b>714.0</b> |
| 1 / 1        |

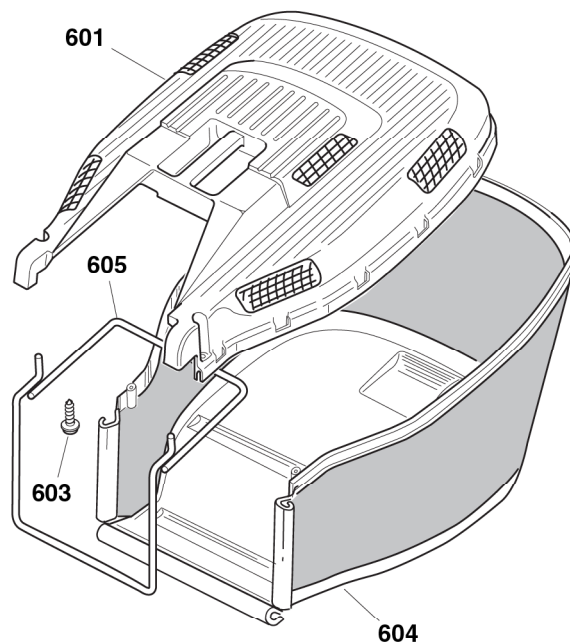
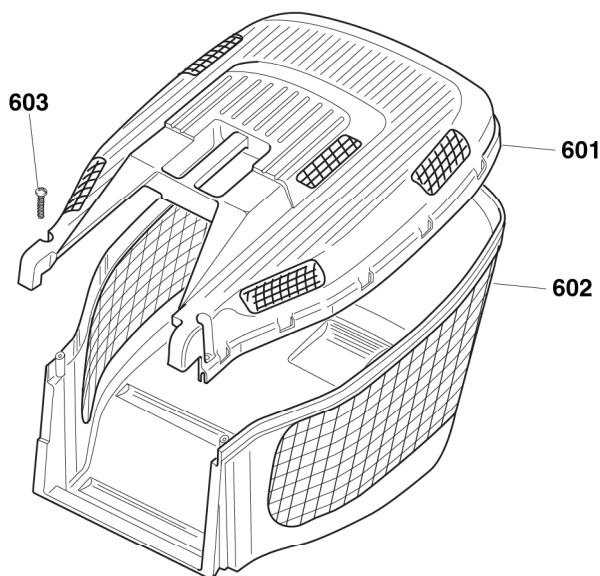


| POS. | CODE        | Q.TY | DESCRIZIONE                     | DESCRIPTION                | DESCRIPTION                   | BESCHREIBUNG              | REMARKS |
|------|-------------|------|---------------------------------|----------------------------|-------------------------------|---------------------------|---------|
| 501  | 22463012/2  | 1    | MOZZO, ALBERO MOTORE Ø 22.2     | HUB, CRANKSHAFT Ø 22.2     | MOYEU, ARBRE MOTEUR Ø 22.2    | HALTER, MOTORWELLE Ø 22.2 |         |
| -    | 122463020/1 | 1    | MOZZO, ALBERO MOTORE Ø 25       | HUB, CRANKSHAFT Ø 25       | MOYEU, ARBRE MOTEUR Ø 25      | HALTER, MOTORWELLE Ø 25   |         |
| 502  | 81004360/3  | 1    | COLTELLO STANDARD               | BLADE STANDARD             | LAME STANDARD                 | MESSER STANDARD           | 414     |
| -    | 81004365/3  | 1    | COLTELLO STANDARD               | BLADE STANDARD             | LAME STANDARD                 | MESSER STANDARD           | 464     |
| -    | 81004381/1  | 1    | COLTELLO STANDARD               | BLADE STANDARD             | LAME STANDARD                 | MESSER STANDARD           | 534     |
| 503  | 22160400/0  | 1    | DISCO ELASTICO                  | ELASTIC WASHER             | RONDELLE ELASTIQUE            | ELASTISCHESCHEIBE         |         |
| 504  | 12523080/0  | 1    | ROSETTA                         | WASHER                     | RONDELLE                      | SCHEIBE                   |         |
| 505  | 12735698/0  | 1    | VITE                            | SCREW                      | VIS                           | SCHRAUBE                  |         |
| 506  | 12139100/0  | 1    | LINGUETTA, ALBERO MOTORE Ø 22.2 | FEATHER, CRANKSHAFT Ø 22.2 | CLAVETTE, ARBRE MOTEUR Ø 22.2 | KEIL, MOTORWELLE Ø 22.2   |         |
| -    | 12139150/0  | 1    | LINGUETTA, ALBERO MOTORE Ø 25   | FEATHER, CRANKSHAFT Ø 25   | CLAVETTE, ARBRE MOTEUR Ø 25   | KEIL, MOTORWELLE Ø 25     |         |

|            |            |            |  |
|------------|------------|------------|--|
| <b>ES</b>  |            | <b>ESL</b> |  |
| <b>414</b> | <b>464</b> | <b>534</b> |  |



|              |
|--------------|
| 2008         |
| <b>715.0</b> |
| 1 / 1        |



| POS. | CODE       | Q.TY | DESCRIZIONE        | DESCRIPTION         | DESCRIPTION            | BESCHREIBUNG   | REMARKS |
|------|------------|------|--------------------|---------------------|------------------------|----------------|---------|
| 601  | 22486122/0 | 1    | PARTE SUP.SACCO    | GRASSBOX UPPER PART | SAC, PARTIE SUPERIEURE | KORB OBERTEIL  |         |
| 602  | 22486128/0 | 1    | PARTE INFER. SACCO | GRASSBOX LOWER PART | SAC, PARTIE INFERIEURE | KORB UNTERTEIL |         |
| 603  | 12728686/0 | 2    | VITE               | SCREW               | VIS                    | SCHRAUBE       |         |
| 604  | 81002229/0 | 1    | SACCO, TELA        | BOX, FABRIC         | SAC, TOILE             | SACK, TUCK     |         |
| 605  | 81006419/0 | 1    | TELAIO SACCO       | CHASSIS BOX         | CHÂSSIS BAC            | RAHMEN SACK    |         |